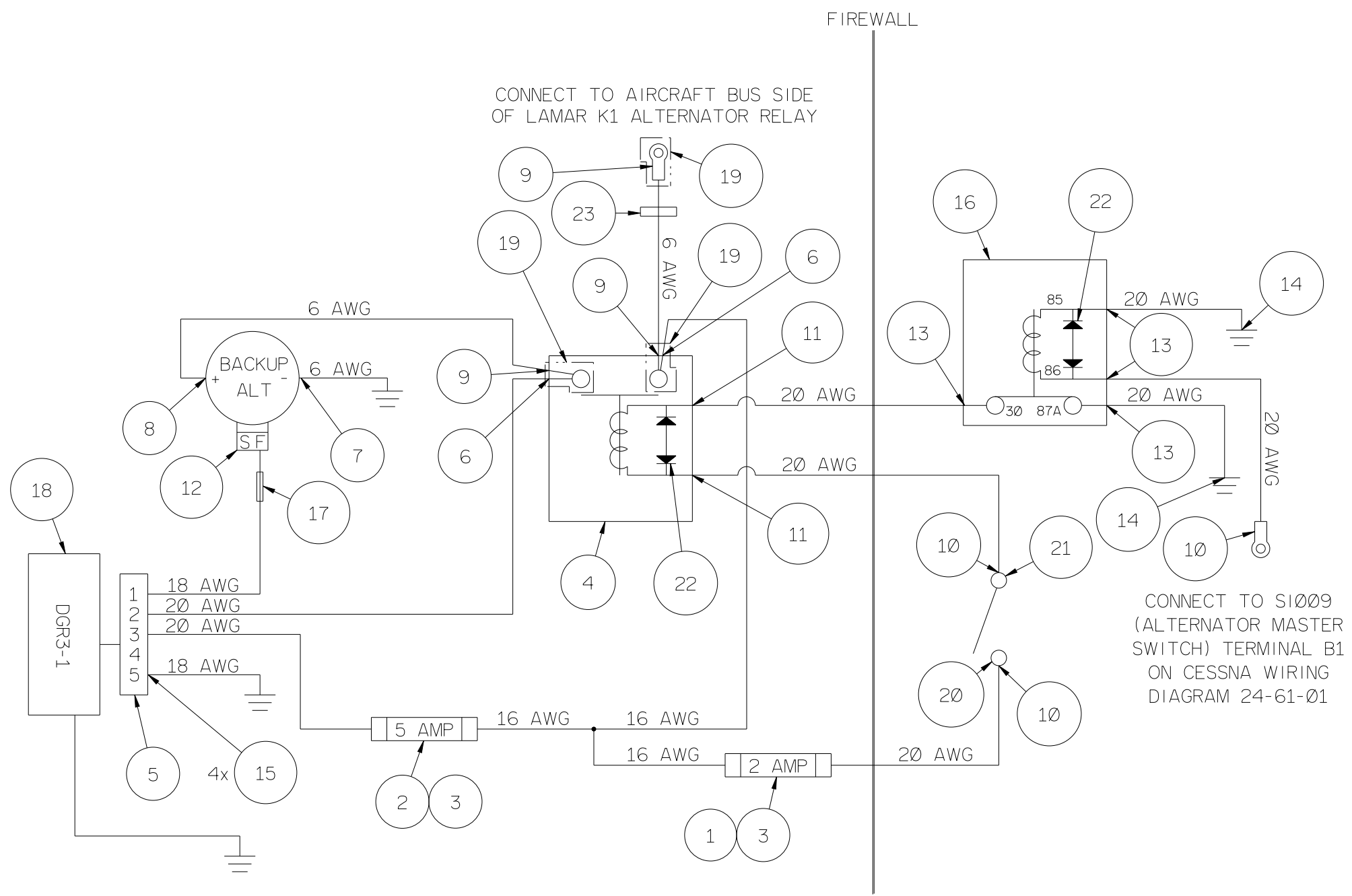


EN	REV	DESCRIPTION	BY	DATE
	A	INITIAL RELEASE	EP	5/12/08
09-050	B	SEE ECN 09-050	EF	6/10/09
11-008	C	SEE ECN 11-008	SDL	2/15/11
11-013	D	SEE ECN 11-013	VK	4/21/11
15-020	E	SEE ECN 15-020	PG	11/30/16



23	1	RI-PGSB-1316A-10	SNAP BUSHING
22	2	P6KE47CA	FAIRCHILD SEMI-CONDUCTOR P/N: BI-DIRECTIONAL TVS 600W 47V DIODE
21	1	MS35058-21 OR AN3021-1	TOGGLE SWITCH
20	1	MS25224-1	TOGGLE SWITCH GUARD
19	3	MS25171-2S	TERMINAL NIPPLE
18	1	DGR3-1	VOLTAGE REGULATOR
17	1	D-436-37	SPLICE, ENVIRONMENTAL, 12-16 AWG
16	1	896H-1CH-D1-R1	RELAY
15	4	66592-1	TERMINAL, SOCKET, 18-22 AWG
14	2	66105-4	CONTACT, SOCKET, 24-20 AWG, CRIMP
13	4	640903-1	CONNECTOR, SPADE, .250, 22-18 AWG
12	1	40024	PLUG
11	2	36154	TERMINAL, RING TONGUE, #10, 16-22 AWG OR EQUIVALENT
10	3	36149	TERMINAL, RING TONGUE, #6, 16-22 AWG OR EQUIVALENT
9	3	33466	TERMINAL, RING TONGUE, 5/16, 6 AWG OR EQUIVALENT
8	1	33465	TERMINAL, RING TONGUE, 1/4, 6 AWG OR EQUIVALENT
7	1	321298	TERMINAL, RING TONGUE, #10, 6 AWG OR EQUIVALENT
6	2	31895	TERMINAL, RING TONGUE, 5/16, 16-22 AWG OR EQUIVALENT
5	1	207575-1	CIRCULAR CONNECTOR
4	1	124-903	WHITE-RODGERS P/N: DC CONTACTOR
3	2	11-13400	AIRCRAFT SPRUCE PN OR EQUIVALENT: FUSE HOLDER
2	1	11-03753	5 AMP FUSE
1	1	11-03746	2 AMP FUSE
ITEM	QTY.	PART NO.	DESCRIPTION

- NOTES:
- UTILIZE RING TERMINALS ITEM 12-18 TO ATTACH WIRE TO STUDS
 - UTILIZE SNAP BUSHINGS ITEM 22 WHEN ROUTING WIRE INTO LAMAR UNIT
 - UTILIZE MIL SPEC WIRING

UNLESS OTHERWISE SPECIFIED
 DIMENSIONS ARE IN INCHES AND APPLY AFTER HEAT TREAT AND PLATING
 .X = ±.015
 .XX = ±.010
 .XXX = ±.005
 ANGLES ±1°
 BREAK ALL EDGES AND MACHINE ALL INSIDE CORNER FILLETS .015 MAX. SURFACE FINISH 125/

THIS DRAWING CONTAINS INFORMATION THAT IS CONFIDENTIAL AND PROPRIETARY TO KELLY AEROSPACE. THIS DRAWING IS FURNISHED ON THE UNDERSTANDING THAT THE DRAWING AND THE INFORMATION IT CONTAINS WILL NOT BE COPIED OR DISCLOSED TO OTHERS EXCEPT WITH THE WRITTEN CONSENT OF KELLY AEROSPACE. WILL NOT BE USED TO THE DETRIMENT OF KELLY AEROSPACE, AND WILL BE RETURNED UPON REQUEST BY KELLY AEROSPACE.

GEOMETRIC SYMBOLS PER ANSI Y14.5

- ▭ FLATNESS
- STRAIGHTNESS
- ROUNDNESS
- ⊘ CYLINDRICITY
- △ PROFILE
- ⊥ PERPENDICULARITY
- ⊕ POSITION
- ◎ CONCENTRICITY
- ≡ SYMMETRY
- ∠ ANGULARITY
- // PARALLELISM
- ↗ CIRCULAR RUNOUT
- ↘ TOTAL RUNOUT

SCADRAWING SCALE

DRAWN	EP	5/8/08
ENGR.	JH	5/12/08
QA	TG	5/12/08
FINISH	-	
WEIGHT	-	
MATERIAL	SEE INDIVIDUAL COMPONENTS	
SIZE	SH 1 OF 1	CODE ID
B		

1625 Lost Nation Rd.
Willoughby, OH 44094

182S, 182T & T182T
BACKUP ALTERNATOR
SYSTEM WIRING DIAGRAM

DRAWING NO.	REV.
AL-00062	E